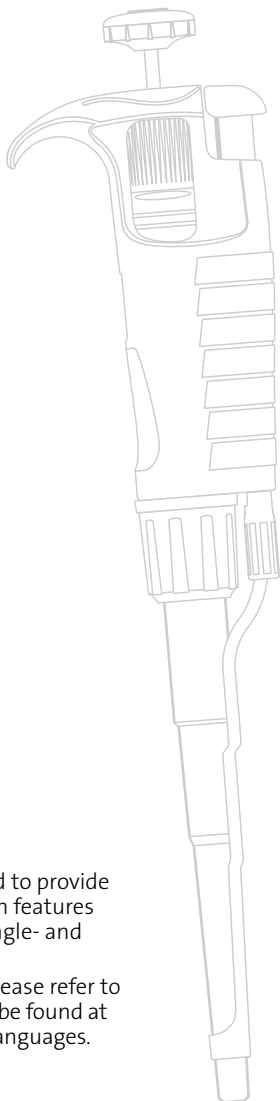


HTL Single- and Multi-channel Pipettors



Quick Start Guide

- Discovery Pro
- Discovery Comfort
- Labmate Pro
- Optipette
- Clinipet⁺, fixed volume



This quick guide is intended to provide a brief overview of the main features and operation of all HTL Single- and Multi-channel Pipettors.

For detailed information, please refer to the User Manuals that can be found at www.htl.com.pl in several languages.

Getting started

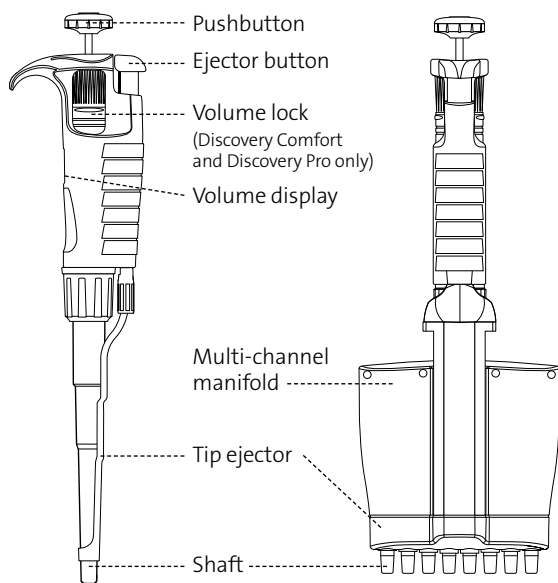
Know your pipettor

Intended Use

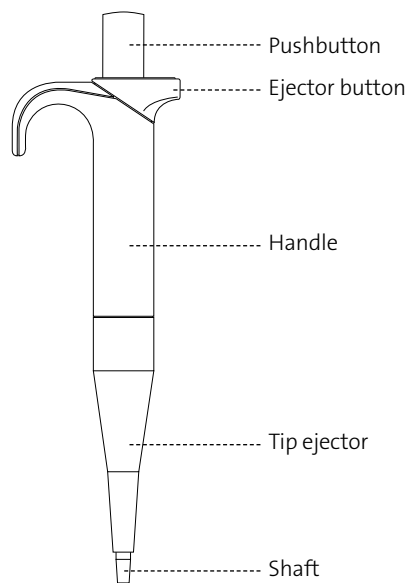
HTL Pipettors are volumetric instruments designed to measure and transfer liquids precisely and safely with the use of disposable pipet tips. The pipettors operate on the air-cushion principle (i.e., the aspirated liquid does not come in contact with the shaft or plunger of the pipettor).

They can accommodate volumes from 0.1 μL to 10,000 μL depending on the model. They are available in single-, 8- and 12-channel variable volume as well as fixed volume single-channel versions.

Variable volume pipettors



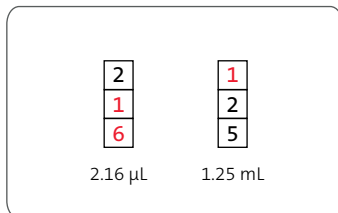
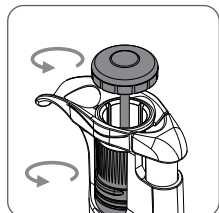
Clinipet⁺, fixed volume



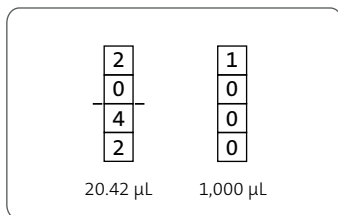
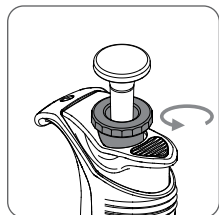
Step 1

Set the volume

Discovery Comfort Labmate Pro Optipette

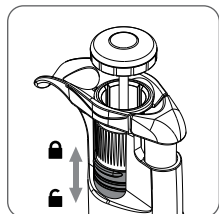


Discovery Pro

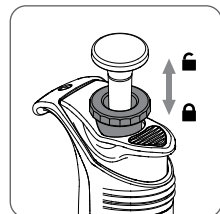


Lock the volume

Discovery Comfort



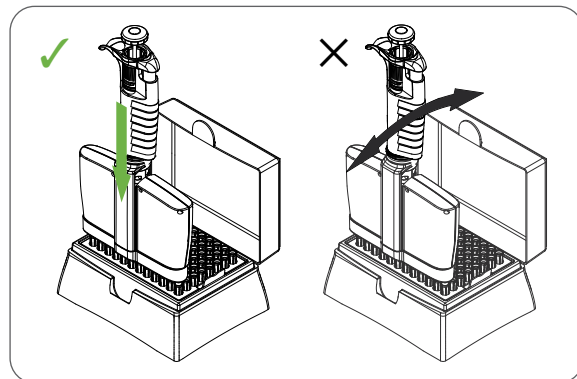
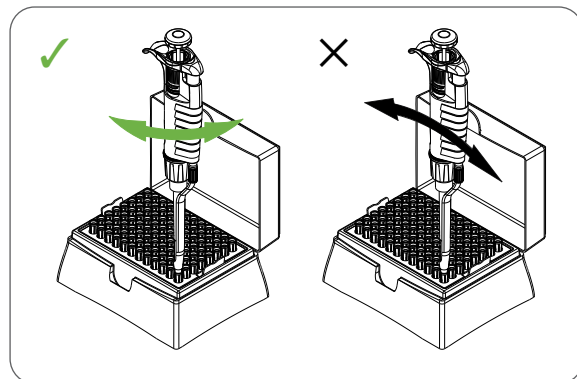
Discovery Pro



NOTE: Labmate Pro and Optipette Single- and Multi-channel Pipettors do not feature a volume lock function.

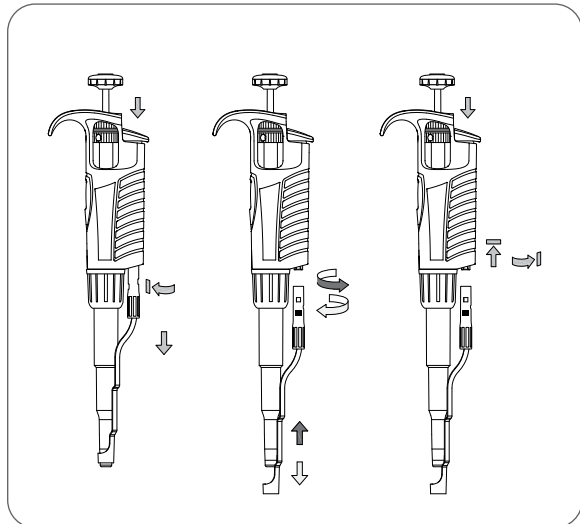
Step 2

Insert the tip

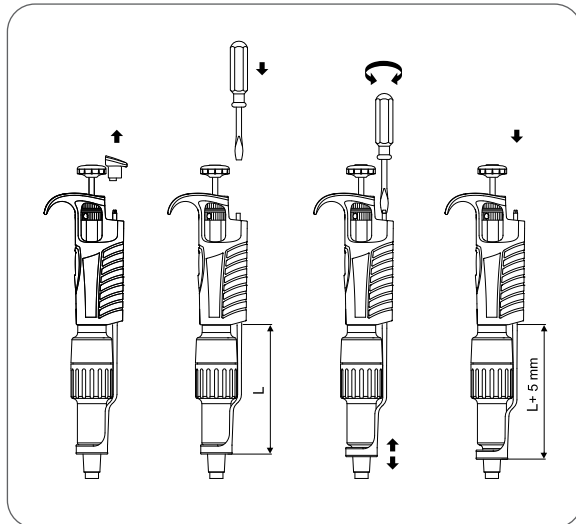


Ejector adjustment

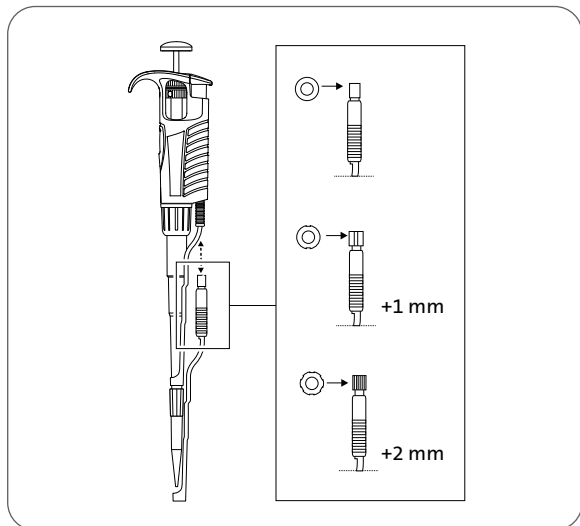
■ Discovery Comfort ■ Labmate Pro



Pipettors 5,000 and 10,000 μL



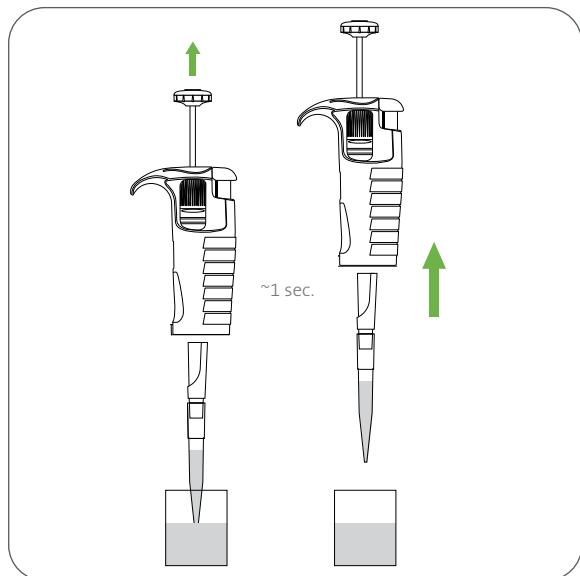
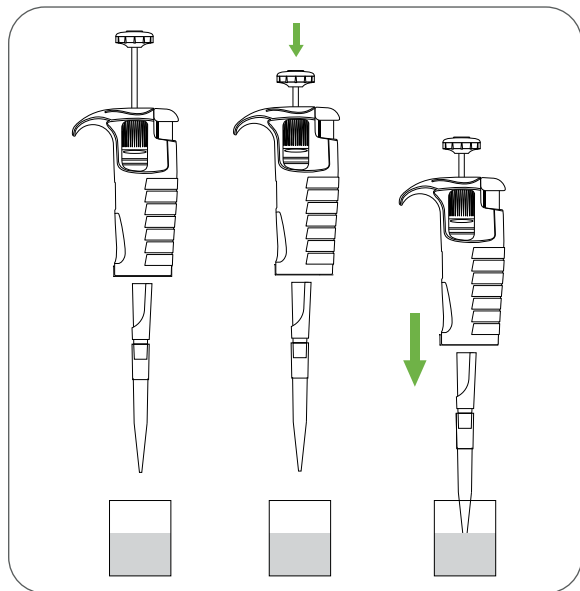
■ Optipette



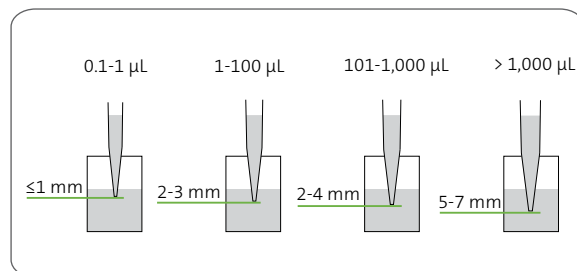
NOTE: Ejector adjustment is not necessary in Discovery Pro and Clinipet[®] pipettors as they feature a long ejector stroke.

Step 3

Aspirate the liquid

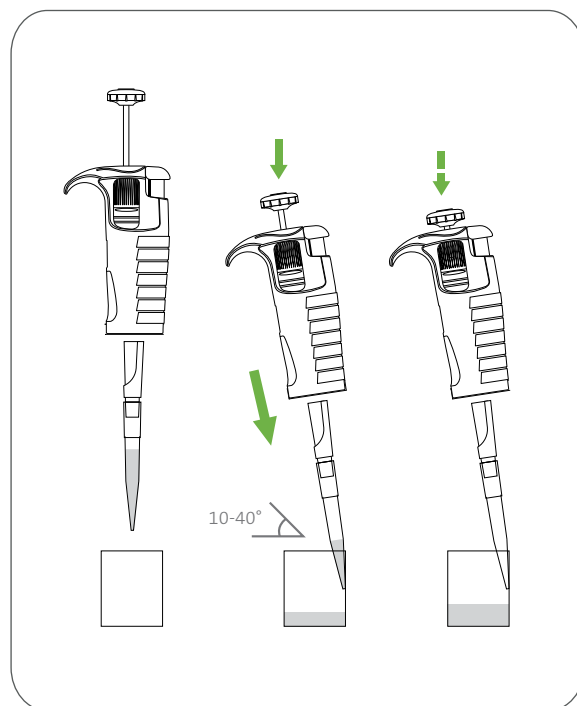


Recommended depth



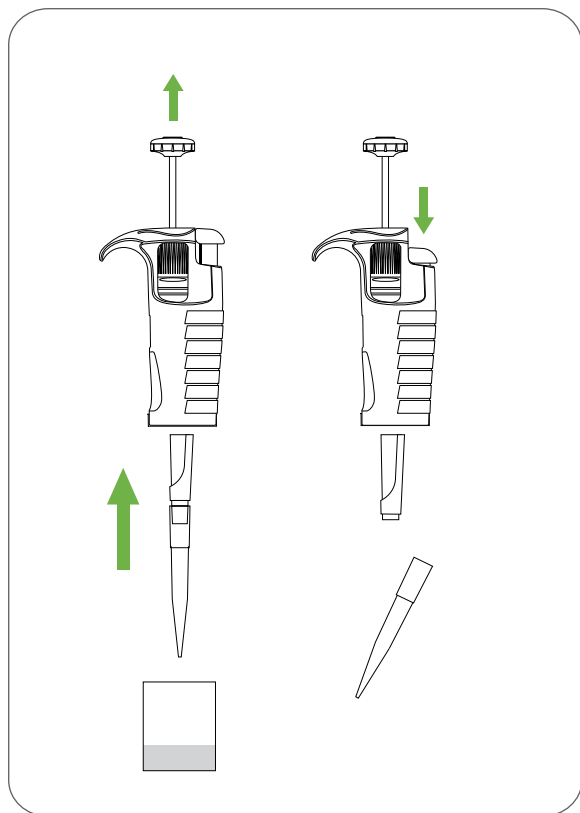
Step 4

Dispense the liquid



Step 5

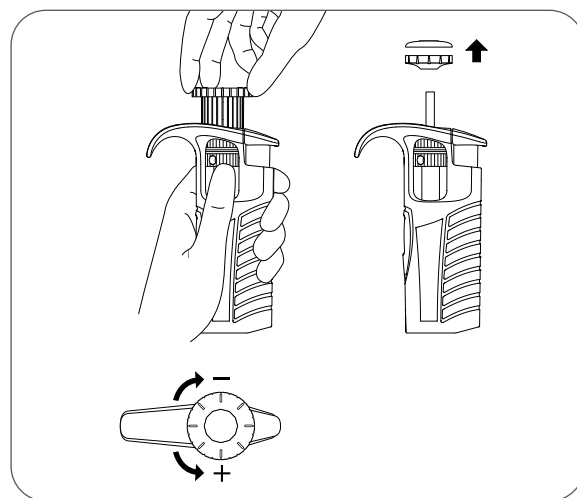
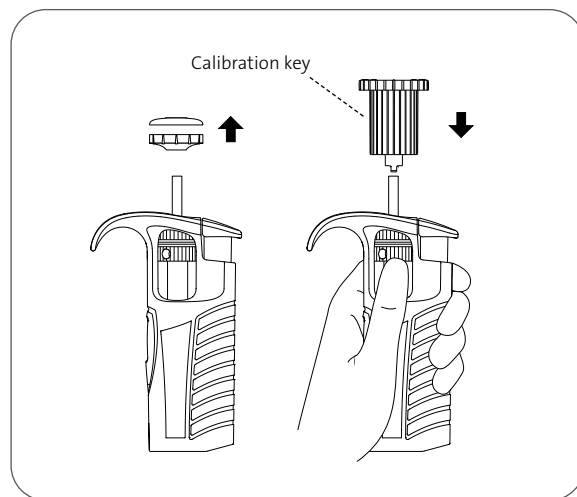
Eject the tip



Step 6

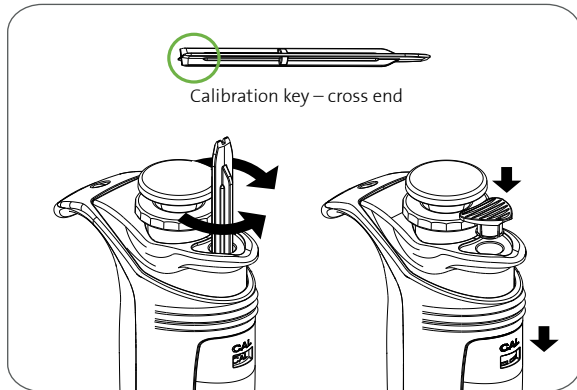
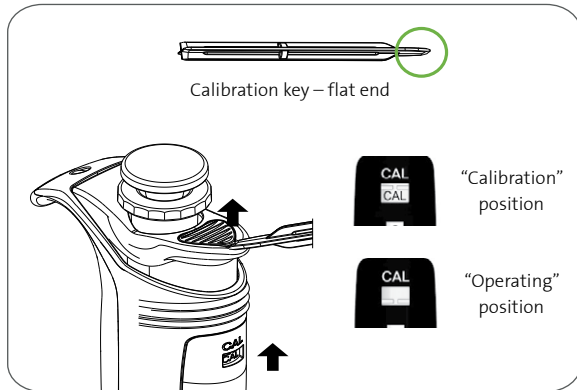
Calibration

■ Discovery Comfort ■ Labmate Pro ■ Optipette ■ Clinipet+



NOTE: Before calibration, in the Discovery Comfort and Discovery Pro lines, always remember to lock the volume using the lock function and for the Labmate Pro and Optipette hold the calibration knob.

Discovery Pro



Warranty

HTL Single- and Multi-channel Pipettors are covered by a three (3) year limited warranty. For more information on the warranty limitations refer to the full version of the User Manuals available at www.htl.com.pl.

Safety Notes

- The pipettor is designed for the transfer of liquids only using the tip. Do not aspirate liquids without the tip attached. The aspirated liquid should not enter the pipettor, as it may cause damage.
- Single-use tips reduce the risk of contamination of samples.
- Keep the pipettor clean, avoiding the use of abrasive or corrosive cleaning agents (e.g., acetone).
- Keep the pipettor upright when there is liquid in the tip.
- Only using the pipettor in accordance with the manufacturer's instructions ensures the correct pipettor parameters are maintained.
- After replacing the plunger or the shaft, the pipettor should be calibrated.
- In the case of incorrect operation, the device should be cleaned in accordance with the Instructions for Use or transferred to a service point.
- Ambient operating temperature is +5°C to 45°C.
- Ambient storage conditions (in the original packaging during transport and short storage) is -25°C to 55°C.



- Follow general work safety regulations regarding hazards related to work in the laboratory.
- Take special care when pipetting aggressive substances.
- Use appropriate protective attire (e.g. clothing, goggles and gloves).
- Avoid pointing the pipettor at yourself or others during use.
- Only use parts and accessories recommended by the manufacturer.

Cleaning

- External parts may be cleaned with a swab moistened with isopropyl alcohol.
- Pipettors can be autoclaved at 121°C for 20 minutes. Prior to autoclaving, untighten the pipettor shaft, remove the filter from 5 and 10 mL pipettor shafts.
- The outer body of the pipettor is UV-resistant. The recommended distance from the radiation source to exposed element should not be less than 50 cm.
- Prolonged and very intense UV exposure can cause de-coloration of pipettor parts but does not affect its performance.

For additional product or technical information, visit www.htl.com.pl or contact your local sales office.

ASIA/PACIFIC

Australia/New Zealand

t 61 427286832

Chinese Mainland

t 86 21 3338 4338

f 86 21 3338 4300

India

t 91 124 4604000

f 91 124 4604099

Japan

t 81 3-3586 1996

f 81 3-3586 1291

Korea

t 82 2-796-9500

f 82 2-796-9300

Singapore

t 65 6572-9740

f 65 6735-2913

Taiwan

t 886 2-2716-0338

f 886 2-2516-7500

EUROPE

htlcs@corning.com

LATIN AMERICA

grupoLA@corning.com

Brazil

t 55 (11) 3089-7400

Mexico

t (52-81) 8158-8400

© 2021 Corning HTL SA. All rights reserved.
2/21 CLSHTL-AN-1006DOC REV2



Corning HTL SA, Daniszewska 4, 03-230 Warsaw
www.htl.com.pl

Made in Poland

For a listing of trademarks, visit www.corning.com/clstrademarks.
All other trademarks are the property of their respective owners.